

Vertical Multipoint lock two-way movement with external rods



ART.	BACKSET	INTER-AXE
5300.35	35	85
5300.45	45	85
5301.35	35	92
5301.45	42	92

LOCK

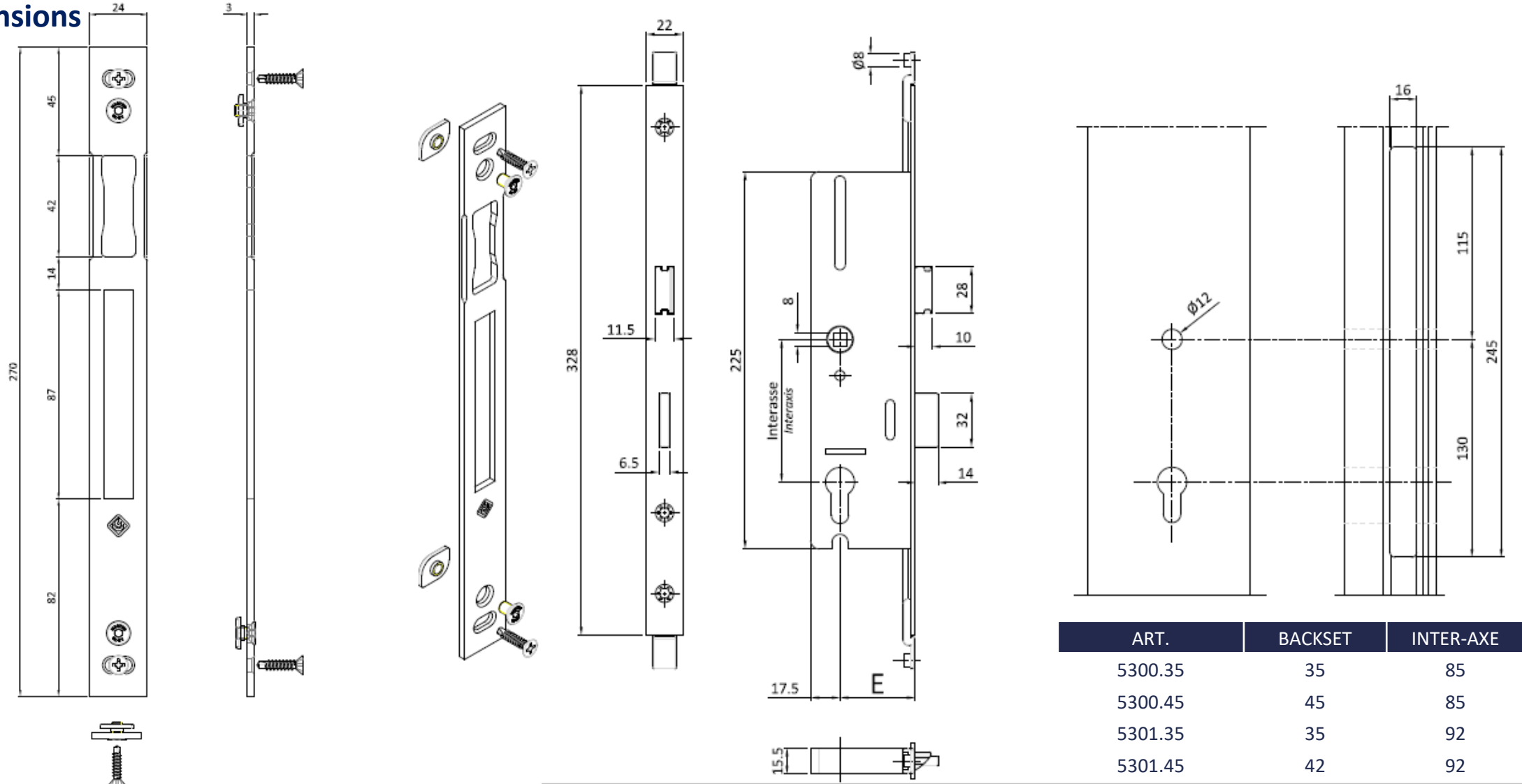
- Universal application;
- The combination with the Euro -groove and R groove rods allows the movement of the perimeter closure points;
- The locking points are operated with double handle;
- Galvanized steel box;
- Internal details, latch and bolt in galvanized steel;
- Front in stainless steel;
- Zamak components for attachment to temples for preparation to additional locking points;
- Handle square for operating the latch and the connecting rods, lockable with key;

COUNTERPLATE

- Front plate, cams and screws in stainless steel;
- 2 mm adjustment;

Vertical Multipoint lock two-way movement with external rods

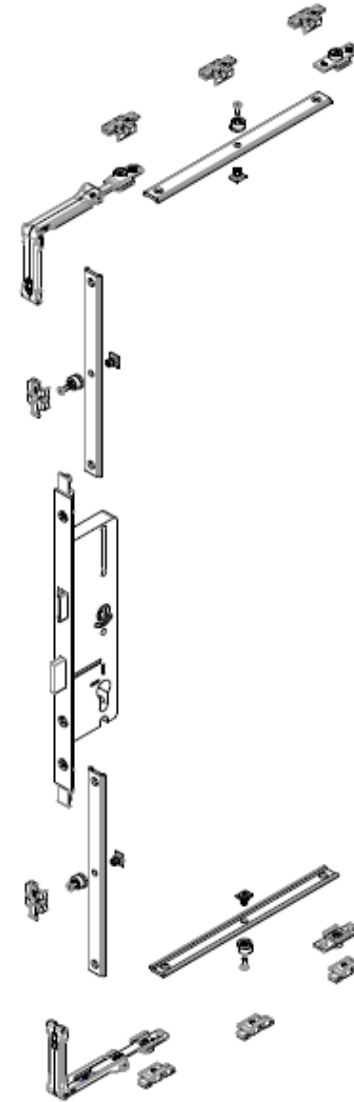
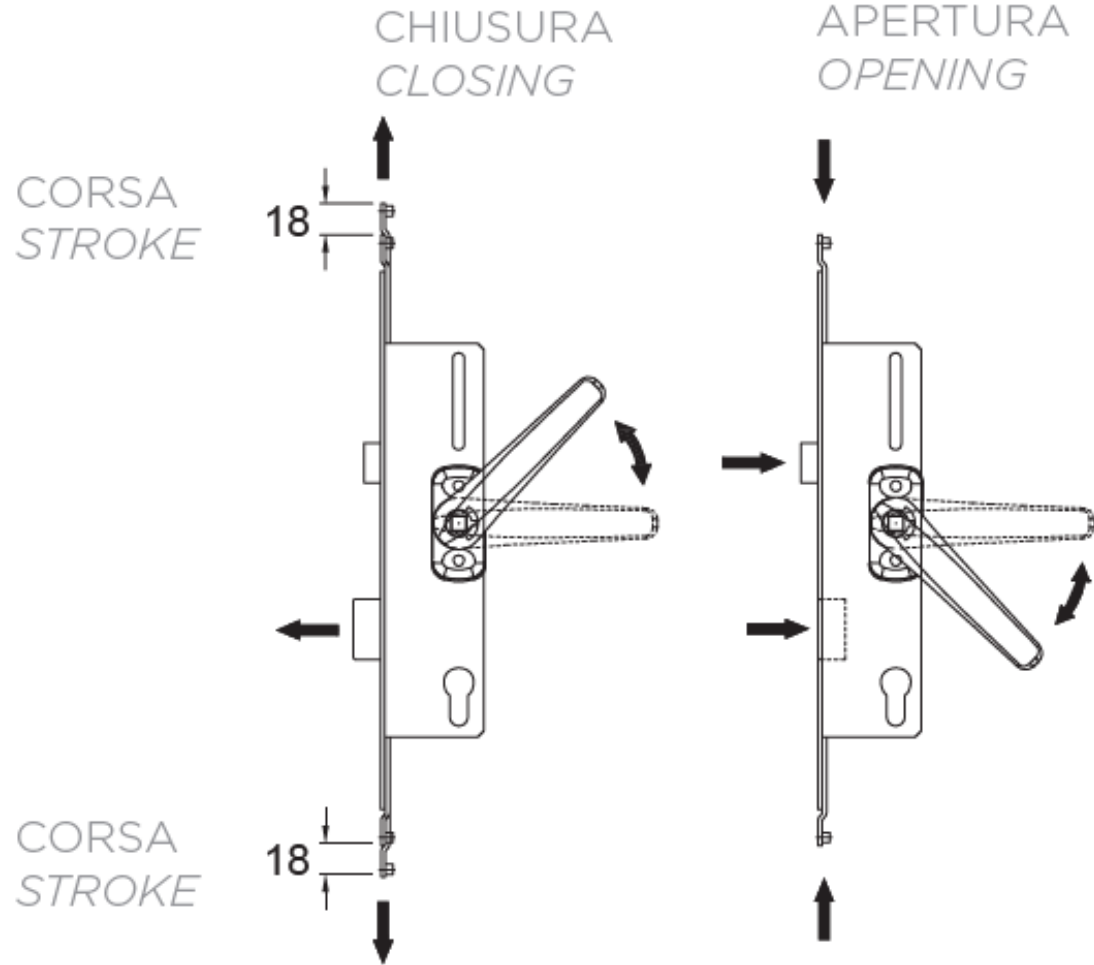
Dimensions



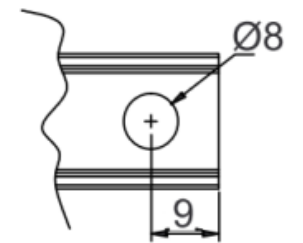
ART.	BACKSET	INTER-AXE
5300.35	35	85
5300.45	45	85
5301.35	35	92
5301.45	42	92

Vertical Multipoint lock two-way movement with external rods

Closing points operated by handle



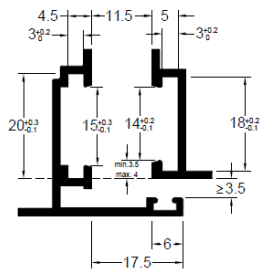
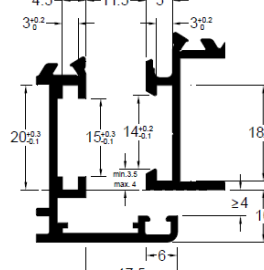
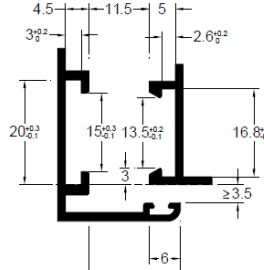
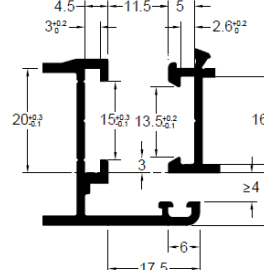
FORATURA ASTINE
MACHINING OF THE
RODS (HOLES)



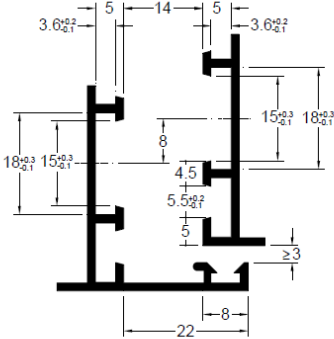
Vertical Multipoint lock two-way movement with external rods

Suitable sections counterplates

Art. 5303.1

A01	Cava 14/18 gradino inferiore a 10 CAMERA EUROPEA EURO GROOVE	A02	Cava 14/18 gradino 10 CAMERA EUROPEA EURO GROOVE
			
A05	Cava nc gradino inferiore a 10 CAMERA EUROPEA EURO GROOVE	A06	Cava nc gradino 10 CAMERA EUROPEA EURO GROOVE
			

Art. 5303.2

A08	R40
	

Vertical Multipoint lock two-way movement with external rods

List prices and packaging

ART.	DESCRIPTION	Packing Material	Naturale	RAL1	RAL 2	Vern. Speciali	Argento Bronzo Ossidato	Oro Ossidato	Inox Ossidato	Altre finiture Speciali	PVD	TEK
5300.35	Vertical Multipoint lock two-way movement with external rods Backset 35 mm, inter-axe 85 mm	Pz. 10 Various										
5300.45	Vertical Multipoint lock two-way movement with external rods Backset 45 mm, inter-axe 85 mm	Pz. 10 Various										
5301.35	Vertical Multipoint lock two-way movement with external rods Backset 35 mm, inter-axe 92 mm	Pz. 10 Various										
5301.45	Vertical Multipoint lock two-way movement with external rods Backset 45 mm, inter-axe 92 mm	Pz. 10 Various										
5303.1	Adjustable counterplate	Pz. 10 Stainless steel										