

## Push-Infilare



### PRODUCT

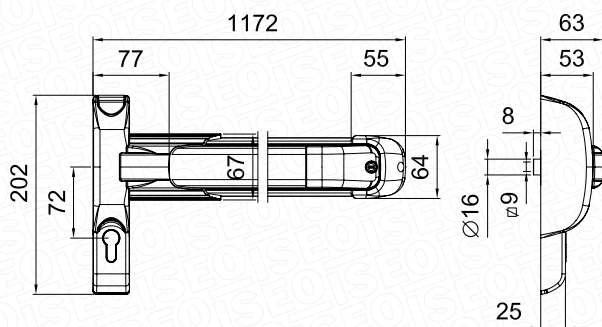
Mortise installation exit bar for panic exit locks

### APPLICATION

The drive mechanism of the Push mortise lock for fire doors, when used together with the relative locks and accessories, is designed to comply with the standard EN1125 and offers excellent reliability, security and durability, as also confirmed by the voluntary product certification issued by the third party organisation ICIM. ICIM voluntary certification has more stringent requirements than the CE mark. The design of the devices has never compromised on style and aesthetics. The hallmark innovative rounded design of the Push mortise range is complemented by the low profile integrated push bar.

The Push mortise range has the same design characteristics as the rim application version, meaning that the two different products may be used in a single environment while maintaining a consistent appearance.

The Push mortise range combines tried and tested performance with easy installation, modular construction, versatility and superlative safety. In keeping with its attention to safety, ISEO has decided to add an ANTIGERM treatment to its products. The effect of this antibacterial treatment is permanent, and does not require any special maintenance. The continuous release of silver ions guarantees constant effectiveness throughout the working life of the product, even if the surface is scratched. This makes it particularly suitable for installation in public places and in any other areas where hygiene and healthcare are a basic necessity: hospitals, clinics and nursing homes, as well as crèches and pre-school structures.



### RANGE

- A wide variety of accessories for a anti-panic and fire doors is available.

# ISEO®

### TECHNICAL FEATURES

**Usable together with mortise panic exit/fire door locks and counter-locks with 9 mm square spindle size , with 72 mm centre size and 30° square spindle rotation angle.**

**Durability:** 200,000 cycles

**Door mass:**  
up to 200 kg

**Door dimensions:**  
maximum width up to 1500 mm, maximum height up to 3400 mm

**Resistance to corrosion:**  
240 hours in a saline environment

**Bar protrusion:**  
less than 100 mm

**Lengths available:** 840/1170/1300 mm

May be shortened by up to 330 mm

**Operating temperature:**  
from -10°C to +60°C.

**Colours available:**  
black, white, metal grey.

**Anti-bacterial protection:**  
AntiGerm on the painted versions

### STANDARDS:

**EN1125:2008 CERTIFICATION**

CE marking in accordance with Regulation 305/2011 EC (CPR) in combination with Iseo locks and accessories.

Voluntary product certification issued by third party organisation ICIM, as envisaged by Standard UNI EN 1125.

### CLASSIFICATION:

3 7 6 B 1 4 2 2 B A for fire door devices

www.iseo.com

# Push-Infilare

## HIGHLIGHTS

- Certified, CE marking in accordance with EU Regulation no. 305/2011 (CPR) , voluntary product certification issued by ICIM, a third party organization, as required by the UNI EN 1125 standard itself.
- Fast, easy installation.
- Practicality: the handle is integrated in the cover, making it easier to grip when closing the door.
- Reversibility: possibility of both right-hand and left-hand configuration.
- Adaptable: may be used together with all Iseo panic exit and fire door locks and counter-locks. All devices may be shortened by up to 330 mm.
- Configurable: installation on both single and double leaf doors.
- Reliability: the entire range has been tested using the parameters laid down in the Standard UNI EN1125 (200,000 cycles).
- Black, white and metal grey finishes with ANTIGERM anti-bacterial treatment.
- Can be controlled by the Aries electronic handle plate or fire resistant anti-panic electrical or microswitch locks.



## MATCHING ACCESSORIES

- Aries electronic handle plate
- 0324\* and 0325\* series handle plates
- 214\* series locks
- 212\* series counter-locks
- Strike plate 032094
- Square spindle 9479\*
- Accessories 0321\*4
- Microswitch 94200060
- SIRENA acoustic alarm device kit

