



KARMA

DOPPIA MANIGLIA MINIMAL DESIGN



Doppia maniglia minimal design | Minimal design double handle
Bequille double design minimaliste | Manilla doble de diseño minimal



Manico in alluminio pressofuso, rotore in zama, cassa in derlin, cover in alluminio, viti e perno in acciaio e bussola in zama.



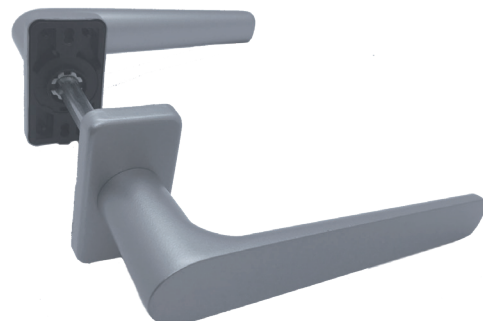
Handle in die-cast aluminium, zamak rotor, derlin case, aluminium cover, steel screws and pin, zamak bush.



Manche en aluminium moulé sous pression, rotor en zamak, caisse en derlin, cover en aluminium, vis et pivot en acier, bague en zamak.

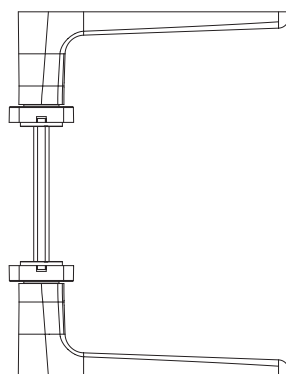


Mango en aluminio de fundición, rotor en zamac, caja en derlin, tapa en aluminio, tornillos y pernio en acero, casquillo en zamac.

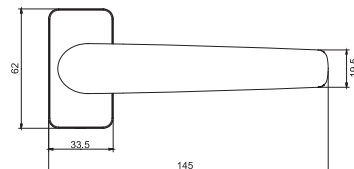
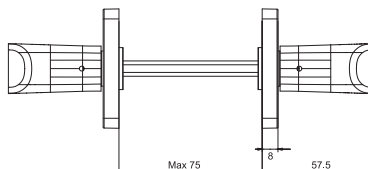
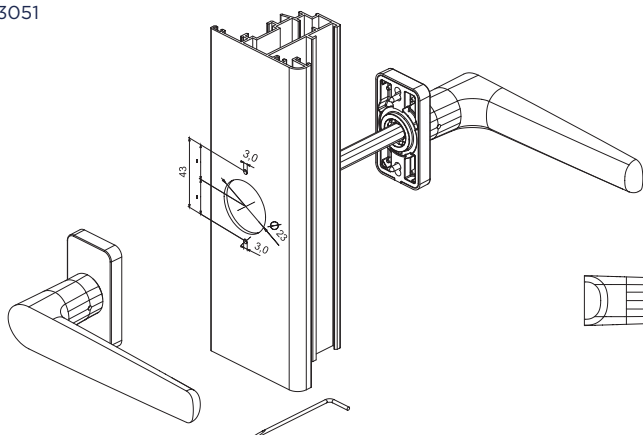


ART.	3051				3051.10			
Imballo Package Conditionnement Embalaje	5 Cp				5 Pz			
Finiture disponibili Available finishes Finitions disponibles Acabados disponibles	1	2	3	4	1	2	3	4

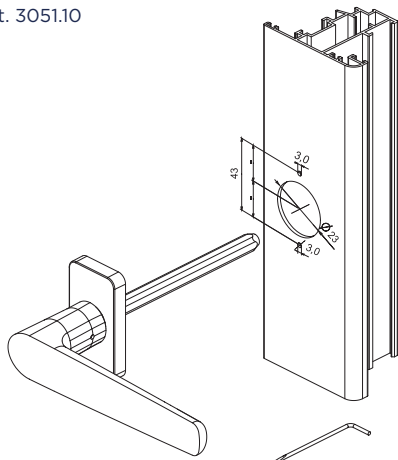
Art. 3051



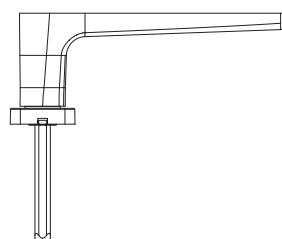
Art. 3051



Art. 3051.10



Art. 3051.10



DESCRIZIONE DESCRIPTION	ART.	L	H
Doppia maniglia minimal Minimal design double handle	3051	Max 75mm	8

DESCRIZIONE DESCRIPTION	ART.	L	H
Mezza maniglia minimal Minimal design half handle	3051.10	Max 110mm	8