



KARMA

CREMONESE MANICO DISASSATO



Cremonese manico disassato | Offset handle cremone bolt
Crémone poignée décalée | Cremona mango descentrado



Cassa e manico alluminio pressofuso; cursore, pignone e copricassa in zama; guida e rondella di frizionamento in delrin; viti in acciaio zincato; viti di bloccaggio su profilo in acciaio inox.



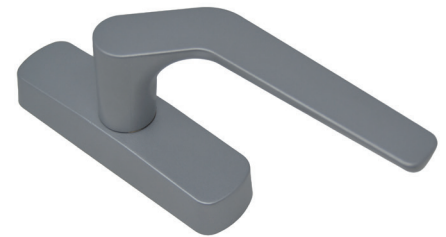
body and handle in die-cast aluminium; rack and pinion, pinion and body cover in galvanized zamak; guide rail and friction washer in delrin; screws in galvanized steel; locking screws of the cremone bolt on stainless steel profile.



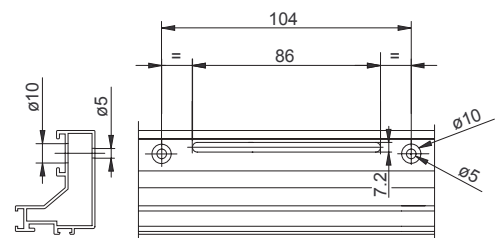
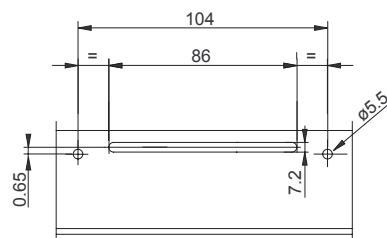
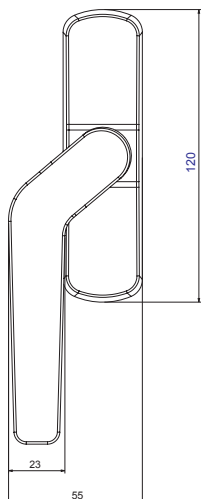
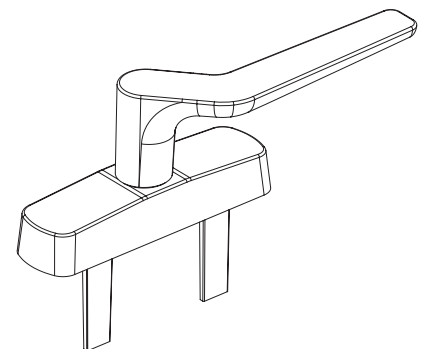
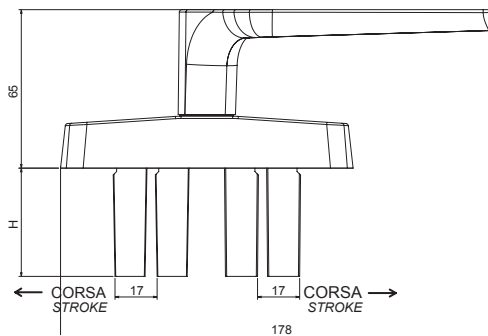
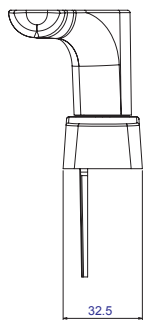
Caisse et poignée aluminium coulé; crémaillères, pignon et couvre-caisse en zamak galvanisé; guide et rondelle de friction en delrin; vis en acier galvanisé; vis de blocage de la crémona sur profil en acier inox.



Caja y mango de aluminio moldeado a presión; cremalleras, piñón y cubrecaja de zamak galvanizado; guía y arandela de fricción de delrin; tornillos de acero galvanizado; tornillos de bloqueo de la cremona en perfil de acero inoxidable.



ART.	6064.11D 6064.11S 6064.1D 6064.1S 6064.D 6064.S
Imballo Package Conditionnement Embalaje	5 Pz
Finiture disponibili Available finishes Finitions disponibles Acabados disponibles	1 2 3 4



DESCRIZIONE DESCRIPTION	H	Art. DX Art. Right	Art. SX Art. Left
KARMA - Cremonese disassata manico disassato - 2 cursori KARMA - Cremonese bolt with cranked handle - 2 protruding	44 mm	6064.D	6064.S
KARMA - Cremonese disassata manico disassato - 2 cursori KARMA - Cremonese bolt with cranked handle - 2 protruding	24 mm	6064.1D	6064.1S
KARMA - Cremonese disassata manico disassato - 1 cursore KARMA - Cremonese bolt with cranked handle - 1 protruding	44 mm	6064.11D	6064.11S

