



# HOOK

## ROSTRO DI CHIUSURA SUPPLEMENTARE ANTISOLLEVAMENTO



Rostro di chiusura supplementare | Additional intermediate third closing point | Crochet de fermeture supplementaire | Punto de cierre suplementario



Slitta, riscontro e base riscontro in zamak; vite TSSCR M4x6 e grano in acciaio inox.



Zamak slider, counterplate and base of the counterplate; TSSCR M4x6 screw and stainless steel setscrew.



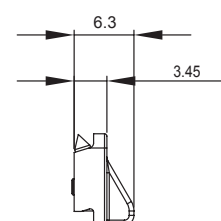
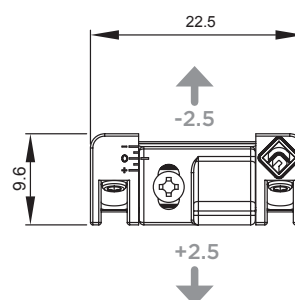
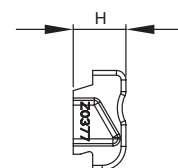
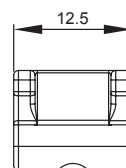
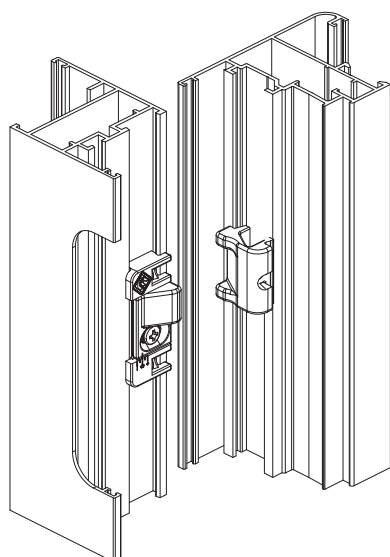
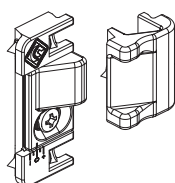
Glissière, gâche et base de la gâche en zamak; vis TSSCR M4x6 et grain en acier inox.



Resbalón, cerradero y base del cerradero en zamak; tornillo TSSCR M4x6 y pernio en acero inoxidable.



ART.	4226.1   4226.2			
Imballo   Package   Conditionnement   Embalaje	40 Kit			
Finiture disponibili   Available finishes Finitions disponibles   Acabados disponibles	1	2	3	4



ART.	H	NODO SECTION
4226.1	5.5	A01 - A05 - A03 - A20 - A21 - A22
4226.2	6.5	A08